

Maximum test head
weight 200 kg

Free floating in X / Y plane

270° swing

360° tumble

360° twist





Technical Data

Range of motion		Setup adjustment	
Degrees of freedom	6	Arm sag	± 2.5°
Linear motion		Weight	
Traverse path x-axis (in/out)	240 mm	Net weight w/o weight plates	500 kg
Traverse path y-axis (side/side)	500 mm	Weight capacity	200 kg
Traverse path z-axis (up/down)	970 mm	Dimensions	
Angular motion		Footprint	1167 x 1430 mm
Twist (about x-axis)	360°		
Swing (about z)	270°		
Theta (about z-axis)	> 10°		
Tumble (about y-axis)	360°		



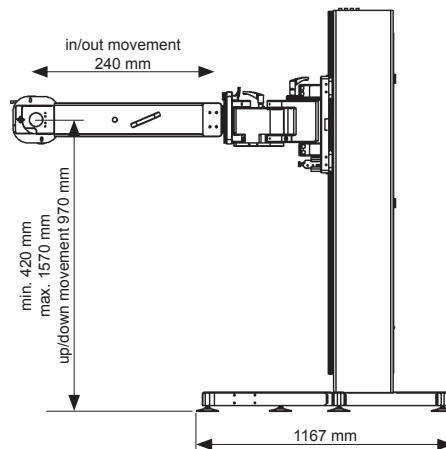
For handler and wafer prober

Available for many different test heads

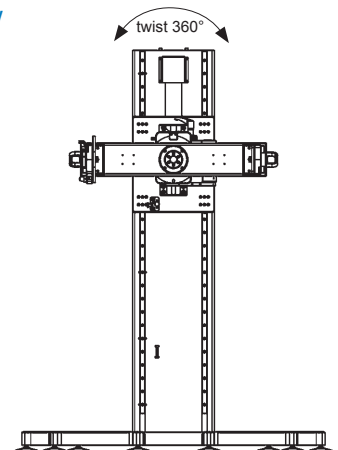
Individual customer solutions

Highest quality equipment

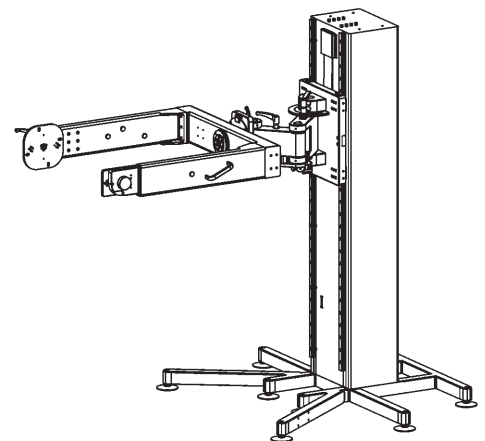
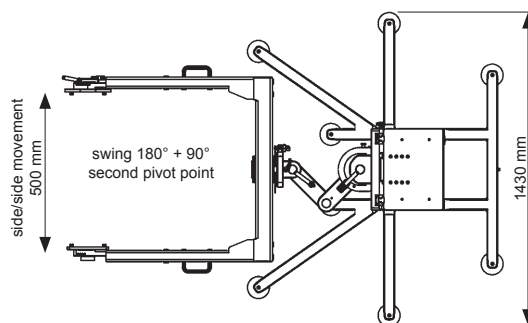
Side View



Front View



Top View



Floor load diagrams and layout proposals on request.

Endutec
Maschinenbau Systemtechnik GmbH
Eichfeldstr. 13a
83339 Chieming
Germany

Phone +49 (0) 8664 / 928 488 - 0
Fax +49 (0) 8664 / 928 488 - 29
Email sales@endutec.de
Web www.endutec.de